

## AUTOMATIC AIR AND GAS VENTS FOR LIQUID SYSTEMS

### AE47.2

(Stainless steel 1 1/2" x 1", 2" x 1", DN 40 x DN 25 and DN 50 x DN 25)

#### DESCRIPTION

The AE47.2 range of high capacity automatic vents are designed to remove air or gases from water and or other liquid systems, without requiring any external source of energy.

They are capable of handling significant loads during start-up while still being able to discharge smaller loads in continuous modulating operation with one single orifice.

These ball float type vents are manufactured in stainless steel, available with various soft sealing options, and can be used in combination with other air elimination and separation systems or directly applied at high points in the pipelines.

#### MAIN FEATURES

Suitable for start-up and continuous operation with one single orifice.

Allows fast and easy inline maintenance.

Corrosion resistant internal parts.

No balancing pipe required.

OPTIONS: Various soft sealing options.

USE: Cold, hot and superheated water systems or other liquids compatible with the construction.

AVAILABLE MODELS: AE47.2-10, 20 and 32 – stainless steel.

SIZES: 1 1/2" x 1" and 2" x 1"; DN 40 x DN 25 and DN 50 x DN 25.

CONNECTIONS: Female threaded ISO 7 Rp or NPT.  
 Flanged EN 1092-1 PN 40.  
 Flanged ASME B16.5 Class 150 or 300.  
 Socket weld (SW) ASME 16.11.

INSTALLATION: Inline vertical installation.  
 It must be installed absolutely vertically at the points in the plant where the air tends to collect.  
 See IMI – Installation and maintenance instructions.

MAX. ΔP: AE47.2-10 – 10 bar  
 AE47.2-20 – 20 bar  
 AE47.2-32 – 32 bar



Überreicht durch:  
**ASA** ASA Horst Wieber GmbH, Werner-von-Siemens-Str. 17, 28816 Stuhr  
 MIT LEIBNIZGESELLSCHAFT FÜR DAMPF  
 Tel.: 0421/565727-0 • E-Mail: info@asa-germany.de • www.asa-germany.de

#### CE MARKING – GROUP 2 (PED – European Directive)

PN 40	Category
All sizes	1 (CE marked)

BODY LIMITING CONDITIONS			
FLANGED PN 40 *	FLANGED CLASS 150 **	FLANGED CLASS 300 **	RELATED TEMPERATURE
ALLOWABLE PRESSURE	ALLOWABLE PRESSURE	ALLOWABLE PRESSURE	
37,9 bar	13,3 bar	34,4 bar	100 °C
31,8 bar	11,1 bar	28,8 bar	200 °C
29,9 bar	10,2 bar	26,6 bar	250 °C
27,6 bar	9,7 bar	25,2 bar	300 °C

PMO – Maximum operating pressure: 32 bar.

TMO – Maximum operating temperature: EPDM valve sealing: 130 °C; FPM / Viton valve sealing: 200 °C.

Min. liquid specific weight: 0,75 kg/dm<sup>3</sup>.

\* Acc. to EN 1092-1:2018; \*\* Acc. to EN 1759-1:2004.

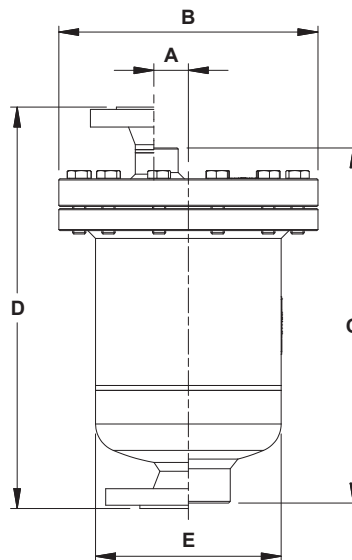
Body limiting conditions PN 40 or below, depending on the type of connection adopted. Rating PN 40 for threaded and SW versions.

FLOW RATE CAPACITY (NL/min)														
MODEL	SIZE	DIFFERENTIAL PRESSURE (bar)												
		0,1	0,5	1	3	5	7	10	12	16	20	24	28	32
AE47.2-10	1 1/2" x 1" – DN 40 x 25 2" x 1" – DN 50 x 25	97	212	266	519	777	1036	1425	–	–	–	–	–	–
AE47.2-20	1 1/2" x 1" – DN 40 x 25 2" x 1" – DN 50 x 25	67	147	184	384	540	720	989	1169	1528	1887	–	–	–
AE47.2-32	1 1/2" x 1" – DN 40 x 25 2" x 1" – DN 50 x 25	43	94	118	230	345	460	633	747	978	1208	1438	1668	1898

Values shown refer to capacities of air discharge at 15 °C, under atmospheric pressure (1013 mbar).

If the air temperature differs from 15 °C, the discharge capacity can be corrected by multiplying it by  $\frac{288}{273 + T}$ , where T is the actual temperature in °C.

It may be assumed that the temperature of the air is equal to the temperature of the water.

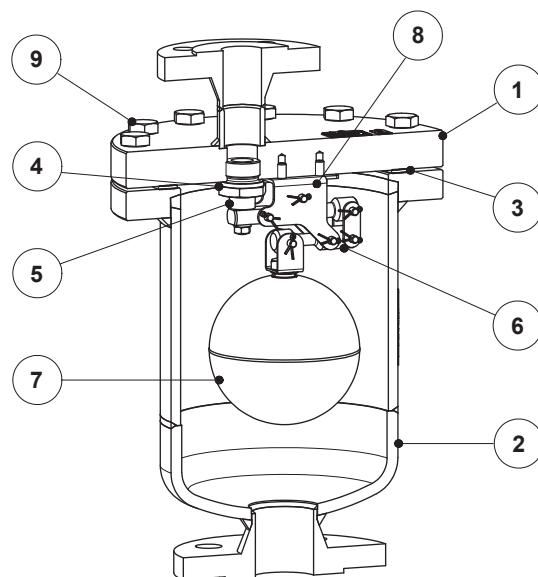


DIMENSIONS (mm)													
INLET *	THREADED					SW		PN 40		CLASS 150		CLASS 300	
OUTLET *	THREADED					SW		PN 40		CLASS 150		CLASS 300	
SIZE	A	B	C	E	WGT. (kg)	C	WGT. (kg)	D	WGT. (kg)	D	WGT. (kg)	D	WGT. (kg)
1 1/2" x 1" – DN 40 x 25	31	235	314	168	20	330	20,2	357	22,8	362	22,1	375	24
2" x 1" – DN 50 x 25	31	235	316	168	20	341	20,5	359	23,4	363	23	376	24,5

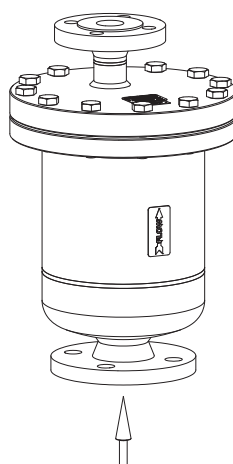
\* For other combinations certified dimensions, consult the manufacturer.

MATERIALS		
POS. N°	DESIGNATION	MATERIAL
1	Body	AISI 316L / 1.4404
2	Cover	AISI 316L / 1.4404
3	* Gasket	Stainless steel / Graphite
4	* Seat	AISI 316L / 1.4404
5	Plug	FPM / Viton or EPDM
6	* Levers	AISI 316 / 1.4401; AISI 316L / 1.4404
7	* Float	AISI 304 / 1.4301
8	* Mechanism support bracket	AISI 304 / 1.4301
9	Bolts	Stainless steel A2-70

\* Available spare parts.



**FLOW DIRECTION**



*VT - Vertical from bottom to top*

ORDERING CODES AE47.2											
<b>Model</b>	AE472	3	E	XX	VT	A	25	A	40	E	
AE47.2 – stainless steel	AE472										
<b>Differential pressure</b>											
10 bar		3									
20 bar		5									
32 bar		6									
<b>Valve sealing</b>											
EPDM			E								
FPM / Viton			V								
<b>Cover connection</b>											
None				XX							
<b>Options</b>											
If any, these have specific separate ordering codes, please refer to the appropriate documentation.											
<b>Flow direction</b>											
Inline vertical from bottom to top					VT						
<b>Outlet pipe connection</b>											
Female threaded ISO 7 Rp						A					
Female threaded NPT						C					
Socket weld (SW) ASME 16.11						H					
Flanged EN 1092-1 PN 40						N					
Flanged ASME B16.5 Class 150						U					
Flanged ASME B16.5 Class 300						V					
<b>Outlet size</b>											
1" or DN 25							25				
<b>Inlet pipe connection</b>											
Female threaded ISO 7 Rp								A			
Female threaded NPT								C			
Socket weld (SW) ASME 16.11								H			
Flanged EN 1092-1 PN 40								N			
Flanged ASME B16.5 Class 150								U			
Flanged ASME B16.5 Class 300								V			
<b>Inlet size</b>											
1 1/2" or DN 40										40	
2" or DN 50										50	
<b>Special valves / Extras</b>											
Full description or additional codes have to be added in case of a non-standard combination											E